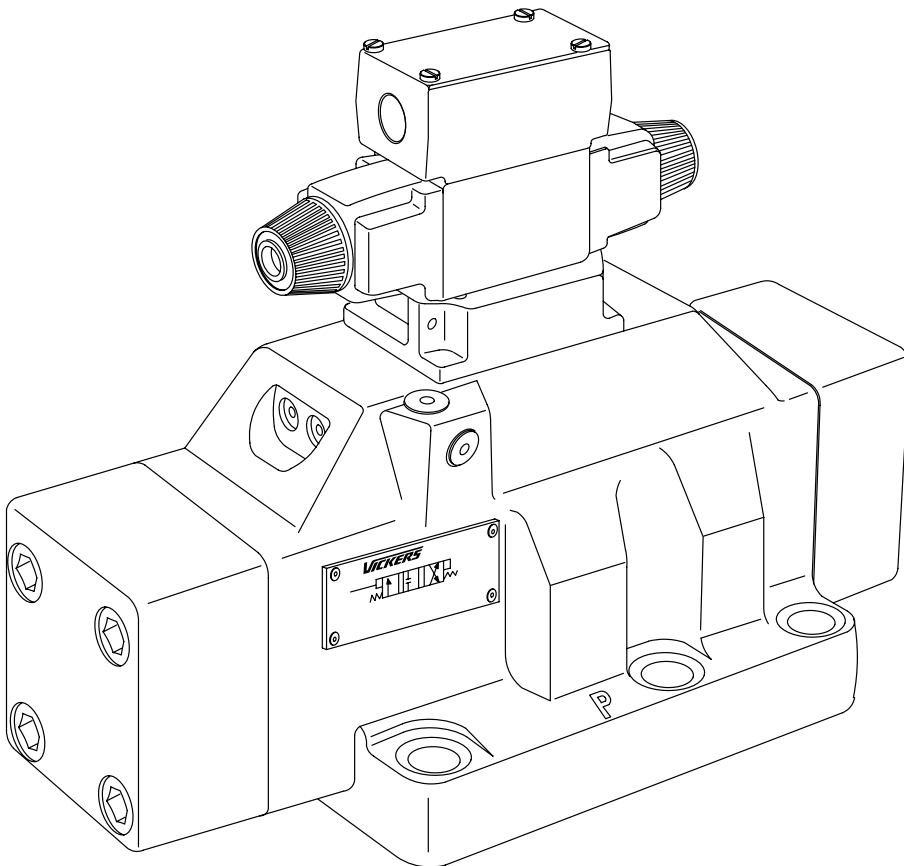




Solenoid Controlled Pilot Operated Directional Valve

DG5S4-10-**-**-*-*M-**-M-**-**-70



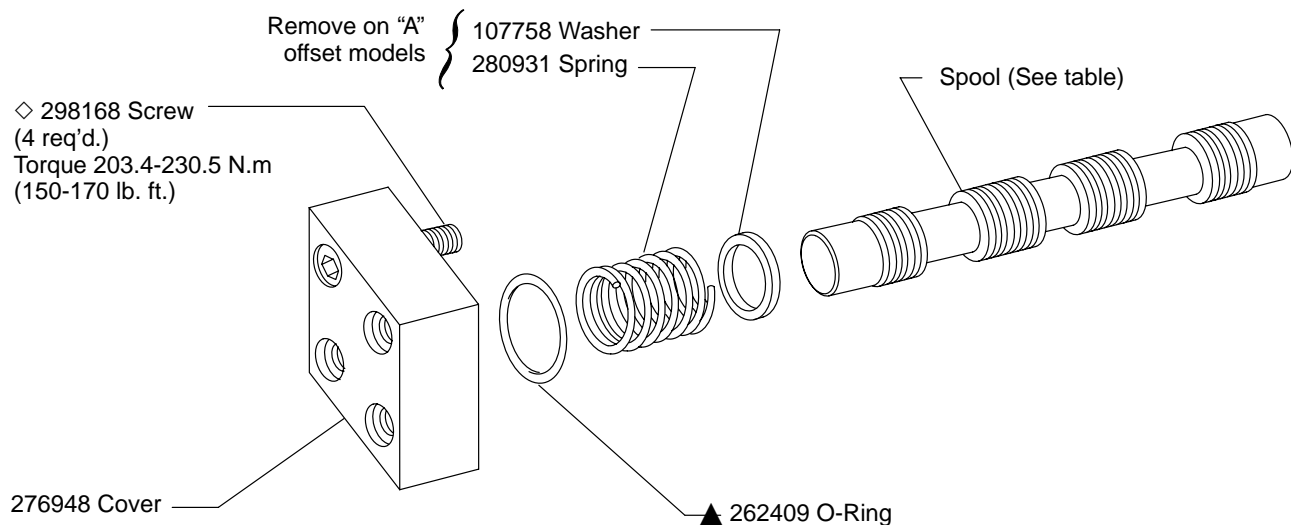
Valve Model Code	Main Stage Spool Type	Pilot Valve Model Code	Service Dwg.
DG5S4-10*A-M-(*)-M*-70	0, 1, 2, 3, 6, 9, 11, 31, 33	DG4V-3-2A-M-*-40	I-3861-S
	4 & 8	DG4V-3-28A-M-*-40	
DG5S4-10*B-M-(*)-M*-70	0, 1, 2, 3, 6, 9, 11, 31, 33	DG4V-3-6B-M-*-40	I-3862-S
	4 & 8	DG4V-3-68B-M-*-40	
DG5S4-10*C-M-(*)-M*-70	0, 1, 2, 3, 6, 9, 11, 31, 33	DG4V-3-6C-M-*-40	I-3863-S
	4 & 8	DG4V-3-68C-M-*-40	
DG5S4-10*N-M-(*)-M*-70	0, 1, 2, 3, 6, 9, 11, 31, 33	DG4V-3-6N-M-*-40	I-3865-S
	4 & 8	DG4V-3-68N-M-*-40	

Pilot Stage Attaching Bolts Bolt Kit Includes 4 Bolts	
Model	Bolt Kit
W/Out Pilot Choke	255698
With Pilot Choke	466851
Torque To 4.5-5.7 N.m (39.8-50.4 lb. in.)	
See Back Page For Pilot Choke Parts Breakdown	

Main Stage Spool	Available Valve Type	Spool	Main Stage ID Plate	
			A only	B/C/N
DG5S4-100	A/B/C/N	364037	400975	400976
DG5S4-101		*331404		400977
DG5S4-102		364038		400978
DG5S4-103		*277479		400979
DG5S4-104		281193		400980
DG5S4-106		364039		400981
DG5S4-108		364041		400980
DG5S4-109		277563		400976
DG5S4-1011		*331404		632700
DG5S4-1031		*277479		580475
DG5S4-1033		364042		400981

***Spool Assembly Note**

Assemble type "1" and "3" spools with narrow center land toward "A" end of valve. "A" end is defined as being closest to cylinder port "A". Types 11 & 31 spools are installed in reverse of types 1 & 3, with narrow center land toward "B" end of valve.



- ▲ Included in F3 Seal Kit 920315
- * Included in Plug Kit 941263
- ◇ Included in Fastener Kit 941262
- ⊖ Used on Check Valve models only
- Plug Torques (See tables)
- ◆ Not available for sale
- Available only in Kit of 25 each

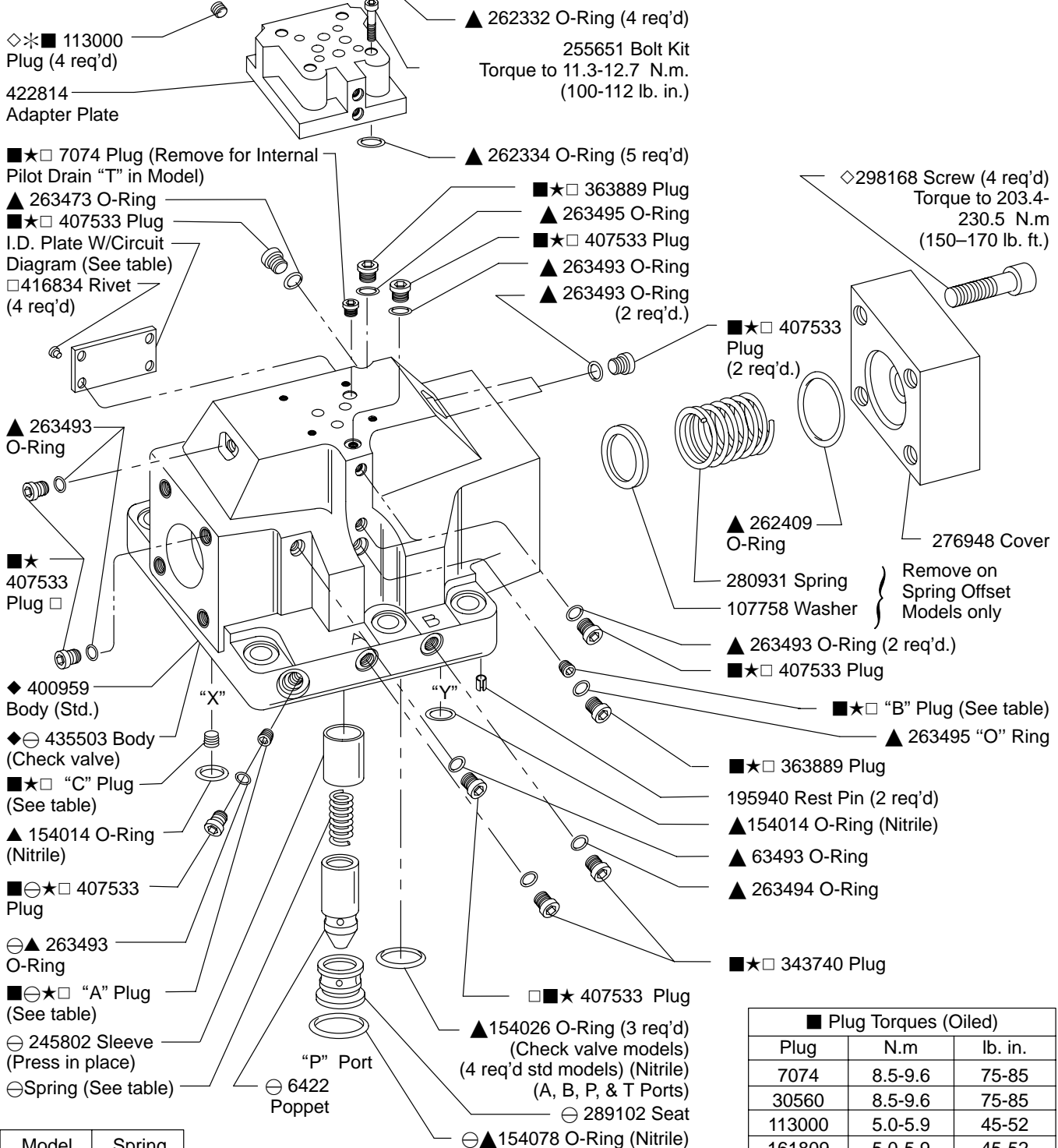
Note
SAE straight thread plugs used on exterior of valve.

Note
Parts included in service kits will not be sold separately.

Seal Kit Note
Valves are manufactured with F3 seals used internally. Interface seals are std Nitrile material and are converted to F3 in seal kit. All seal kit seals are F3.

This Sol. removed on A & B R.H. models. Refer to parts dwg. for L.H. models.

■ Plug Installation Table			
Model	"A" Plug	"B" Plug	"C" Plug
DG5S4-10**-70	Does Not Exist	30560	Out
DG5S4-10**-E-70		7074	30560
DG5S4-10**-X-70		Out	Out
DG5S4-10**-X-E-70	161809		
DG5S4-10**-K/R/S-70	113000	7074	30560
DG5S4-10**-E-K/R/S-70	Out		Out
DG5S4-10**-X-K/R/S-70	113000		

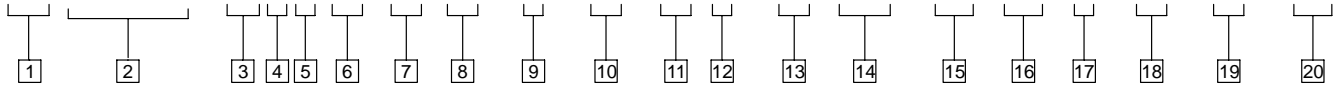


Model	Spring
-K-M-70	247287
-R-M-70	276428
-S-M-70	432353

■ Plug Torques (Oiled)		
Plug	N.m	lb. in.
7074	8.5-9.6	75-85
30560	8.5-9.6	75-85
113000	5.0-5.9	45-52
161809	5.0-5.9	45-52
343740	15.0-16.0	133-147
363889	20.5-22.5	181-199
407533	12.1-12.4	107-110

Model Code

(F3)DG5S4 -10 * *(P) (L) (X) -(*) - (E)-(T) (*) - M (P) - M - ** - * - (9) - (**) - 70**



1 Seal Material

F3 - Seals for mineral oil and fire resistant fluids

2 Model Series

DG3S4 - Directional control valve, subplate or manifold mounted, controlled, pilot operated, sliding solenoid spool, 4 way flow direction

3 Valve Size 1-1/4"

NFPA-D10 (ISO-4401-10) interface

4 Spool Types

5 Spool Spring Arrangement

- A** - Spring offset to cyl. A
- B** - Spring centered solenoid A removed
- C** - Spring centered
- N** - No spring detented

6 Manual Operator in Pilot Valve End Cap

A & B models only*

7 Left Hand (single solenoid only)*

8 Response

"X" - Fast response model
Omitted - for standard low shock models

9 Spool Control Modifications*

- 1** - Stroke adjustment
- 2** - Pilot choke adjustment
- 3** - Pilot choke & stroke adj.
- 7** - Stroke adj. cylinder "A" only
- 8** - Stroke adj. cylinder "C" only
- 2-7** - Dual pilot choke & stroke adjustment "A" port end only
- 2-8** - Dual pilot choke & stroke adjustment "B" port end only

10 External Pilot Pressure*

11 Internal Pilot Drain*

12 Check Valve in Pressure Port*

- K** - 0.35 bar (5 psi cracking press.)
- R** - 3.45 bar (50 psi cracking press.)
- S** - 5.20 bar (75 psi cracking press.)

12 Flag Symbol Heading Electrical Features and Options

13 Electrical Features

(Refer to I-3866-S for detailed information)

14 DG4V-3 Pilot Valve & Adapter Plate

15 Wiring Housing

- U** - DIN 43650
- W** - Wiring Housing 1/2 NTP. thread
- WL** - Wiring Housing 1/2 NTP. thread (with indicator light)

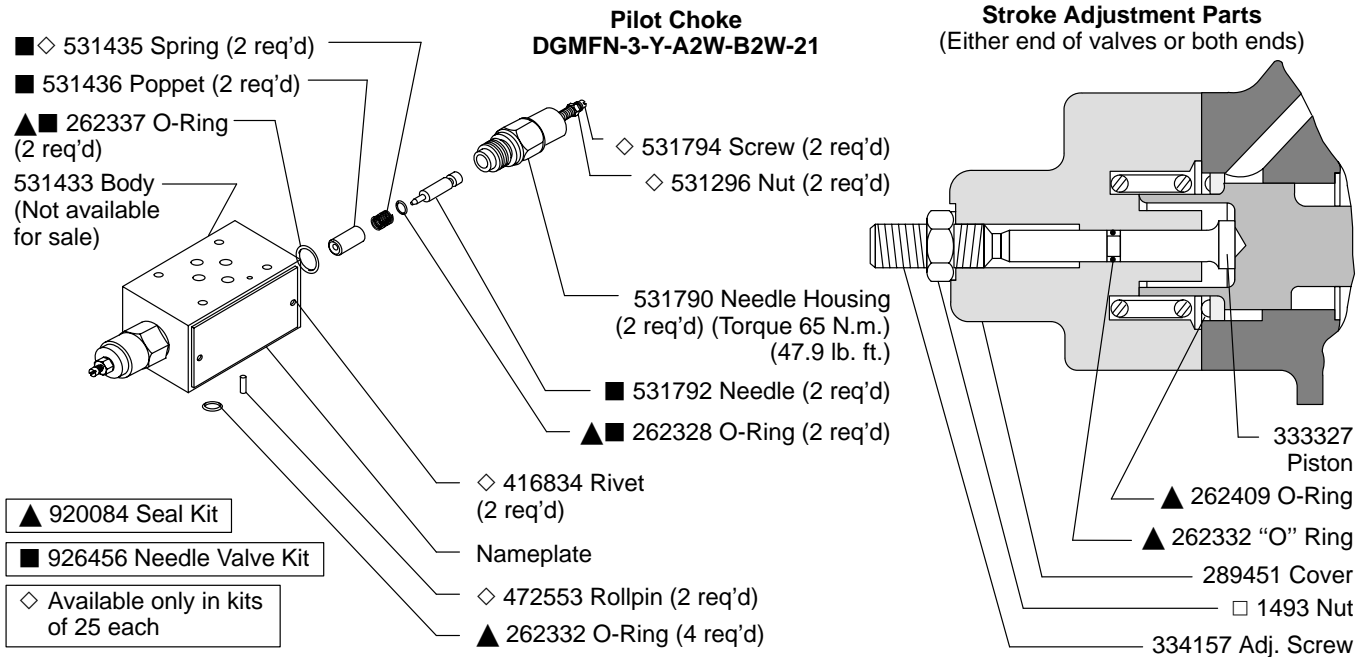
16 Coil Identification Letter

17 Low Wattage B Coil*

18 Pilot Valve Port Orifice*

13 Design

* Omit when not req'd



For satisfactory service life of these components use full flow filtration to provide fluid which meets ISO cleanliness code 20/18/15 or cleaner. Selections from Eaton OFF, OFR, and OFRS series are recommended.